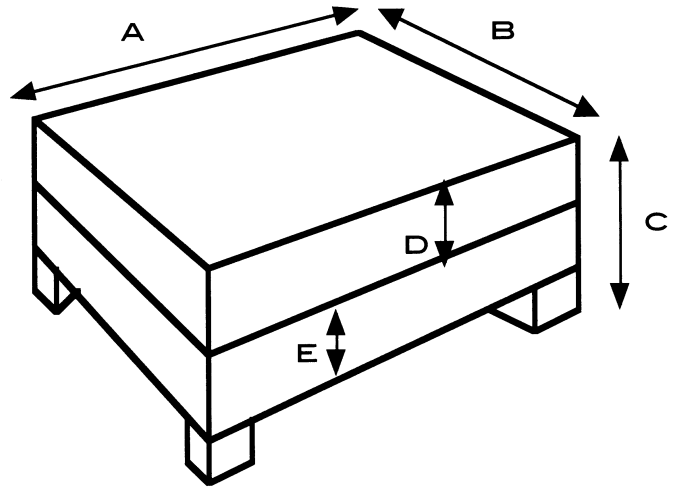




bedding & boxspring measurements

BASIC MEASURE FOR
BEDDING AND BOXSPRING.
MEASURE IN EITHER
INCHES OR CENTIMETRES,
NOT BOTH!

- A) _____
- B) _____
- C) _____
- D) _____
- E) _____



FLOORING:
HARDWOOD/TILE ___ CARPET ___

ROOM: _____ KING ___ QUEEN ___ DOUBLE ___ TWIN ___